



SUN KID – WONDERCARPET – BELT SKD18 - 2013

DAILY CHECKLIST FOR 100 DAYS OF OPERATION

OPERATING SEASON

OWNER:

SunKid GmbH
A - 6460 Imst/Tirol
Tel (+43) 05412.68131
Fax (+43) 05412.68132
e-mail: office@sunkid.at
Website: www.sunkid.at
UID-Nr: ATU42030100

TYPE: LENGTH: MOTOR: YEAR OF
MANUFACTURE:

IF PROBLEMS - CONTACT:

WEEKLY TEST (7 DAY PERIODE)

- Carefully de-icing under the driving and return drum.
- Assurance that the conveyor belt is properly tensioned and operates smoothly
- Test of the back-stop (it must not move in the locked direction)
- Check the abrasion of the belt and guide lines. Pay attention to loosen screws.

On	Date	Completed by:	Problems/check
Problems Contacted at checks			

Duration of daily „ABC“-check: dependent on the length of the belt: 3 – 5 minutes.
Yearly maintenance and gear oil change: see manual

DAILY CHECK BEFORE OPERATION
ABC-TEST
A 1. Test Transition Stop Device

Use your little finger to check the functionality of the switching plate. It must switch off the belt at the latest when the gap is 20 mm wide and must then open up completely. It should be closed tight during operation and must not be iced up (does not apply to the optional „side exit“). Reset is required for re-start.

2. Emergency Stop and Service Stop Test:

Check the functionality of all stopping mechanisms. The conveyor belt must stop immediately.

3. Emergency Plate Test

The conveyor belt must stop immediately if the emergency plate is pushed out of its position by more than 30 mm. Keep the area beneath the emergency plate free from snow.

4. Safety Gate Test (for optional side exit gate) – the safety gate must deactivate the conveyor after a maximum of 15 mm movement and must then open up by at least 300 mm. It must not be frozen or iced up and must be easy to operate with one thumb. The maximum belt travel (coasting) after a stop is 20 cm. Test every stop button – then check coasting once again.

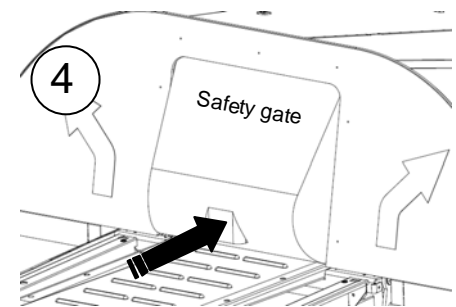
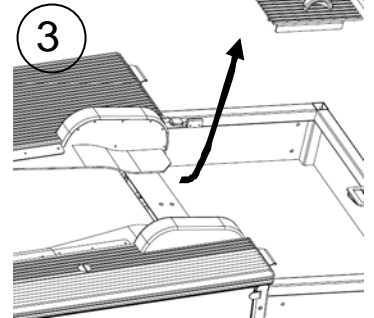
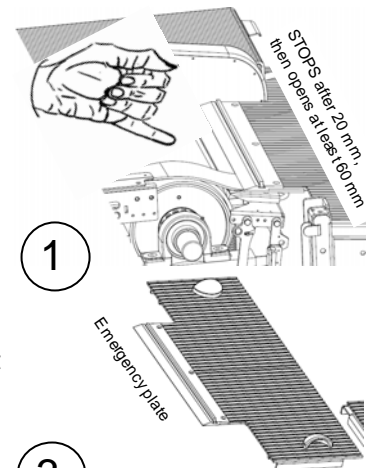
B Belt Surface Check:

Let the belt complete a full revolution. The belt must form a closed surface.

- Check for smooth, clean movement at the belt centre.
- Check the belt connection for damage. The bent ends of the connecting wire must face away from the direction of travel and be located within the edge of the belt.
- The transition to the snow surface at the entrance and exit must not have any holes or gaps and must be at a slight downwards slope.
- The lateral free space with an overall width of at least 2m over the level of the conveyor belt must be checked daily before commissioning. This free space must be arranged symmetrical to the belt centre.
- Remove any snow from beneath the belt infeed and point of redirection as necessary.
- The belt must not become so icy that passengers start to slide backwards.
- All covers must be in their correct positions.
- Check the belt's bearing points. Make sure the structure does not wobble or show other signs of instability when it is mounted. The conveyor system must be switched off if it slips out of place or slants at an angle and is no longer stable.

C „Wonder Carpet Eye“ light barrier (not applicable to the „side exit“ option)

Test: cover up the light source: the belt must stop moving after 3 seconds.


MEASURES

In the event safety features no longer function properly or damage to the belt surface is detected, **stop operations immediately** and have the belt repaired by a qualified technician.

If the light barrier is momentarily out of service, make sure the belt infeed area is placed under direct supervision to ensure the system can be switched off in the event of a fall or accident.

This inspection may have to be carried out more often or even hourly in the event of heavy snowfall or extreme weather conditions (freezing rain). In extreme conditions it may be necessary to permanently monitor and clear the entrance and exit points.

CHECK LIST:

1. The belt must stop if the switching plate is opened 20 mm or more
2. 75 mm – switching plate opens fully
3. Maximum gap between conveyor belt and cover: 6 mm. Minimum gap: 1 mm
4. Functionality check for all stop and emergency stop switches
5. The belt must not coast any more than 30 cm after a safety stop is triggered (Service stop: 70 cm max.)
6. Check the entire belt surface - it must not display any damage
7. The ends of the connecting wire must be bent back at right angles against the direction of travel and must not protrude beyond the width of the conveyor belt
8. The belt must stop after 3 seconds if the light barrier is covered up
9. The side cover along the conveyor belt must prevent the access to/under the construction.



**ANY DAMAGE HAS TO BE REPAIRED IMMEDIATELY!
OTHERWISE YOU RISK SERIOUS ACCIDENTS WITH INJURY TO PERSONS!**

